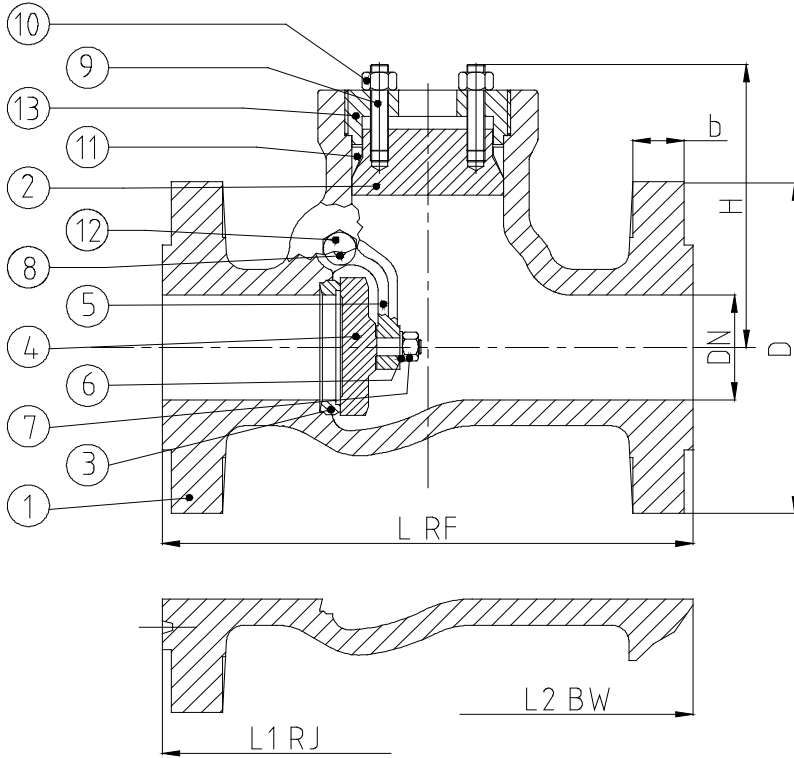


Art. 805 VALVOLE A RITEGNO SERIE ANSI 1500 PRESSURE SEAL
 Swing Check valves series ANSI 1500 Pressure Seal



DN	L RF	L1 RJ	L2 BW	H	H1	V
2"	14 ½	14 ⅝	14 ½			
50	368	371	368			
2"½	16 ½	16 ⅝	16 ½			
65	419	422	419			
3"	18 ½	18 ⅝	18 ½			
80	470	473	470			
4"	21 ½	21 ⅝	21 ½			
100	546	549	546			
6"	27 ¾	28,00	27 ¾			
150	705	711	705			
8"	32 ¾	33 ⅛	32 ¾			
200	832	841	832			
10"	39,00	39 ⅜	39,00			
250	991	1000	991			
12"	44 ½	45 ⅛	44 ½			
300	1130	1146	1130			
14"	49 ½	50 ¼	49 ½			
350	1257	1276	1257			
16"	54 ½	55 ⅜	54 ½			
400	1384	1407	1384			
18"	60 ½	61 ⅜	60 ½			
450	1537	1559	1537			
20"	65 ½	66 ⅜	65 ½			
500	1664	1685	1664			
24"	76 ½	77 ⅝	76 ½			
600	1943	1972	1943			
26"						
650						
28"						
700						
30"						
750						
36"						
900						
40"						
1000						
42"						
1050						
48"						
1200						
64"						
1600						

POS	DENOMINAZIONE - Part list	MATERIALI - Materials
1	CORPO Body	ASTM A216 WCB
2	COPERCHIO Bonnet	ASTM A182 F.6
3	SEDE Seat ring	ASTM A182 F.6
4	OTTURATORE Disc	ASTM A182 F.6
5	LEVA Hinge	ASTM A216 WCB
6	RONDELLA Plate	ASTM A 105
7	DADO Nut	ASTM A194 2H
8	SPINOTTO Pin	ASTM A182 F.6
9	TIRANTI CORPO Bolt	ASTM A 193 B7
10	DADO Nut	ASTM A 194 2H
11	GUARNIZIONE Gasket	STAINLESS STEEL
12	TAPPO Plug	ASTM A 105
13	GHIERA FILETTATA Threaded ring	ASTM A 105
14		
15		
16		
17		
18		
19		
20		
21		
22		
23		
24		
25		
26		