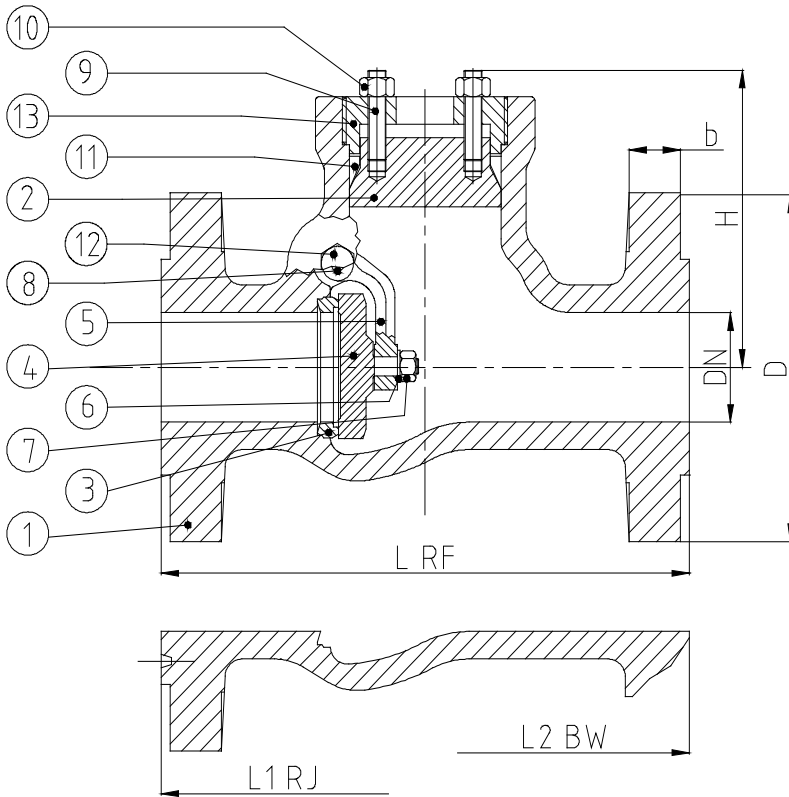


Art. 810 VALVOLE A RITEGNO SERIE ANSI 2500 PRESSURE SEAL
Swing Check valves series ANSI 2500 Pressure Seal



DN	L RF	L1 RJ	L2 BW	H	H1	V
2"	17 3/4	17 7/8	17 3/4			
50	451	454	451			
2 1/2"	20,00	20 1/4	20,00			
65	508	514	508			
3"	22 3/4	23,00	22 3/4			
80	578	584	578			
4"	26 1/2	26 7/8	26 1/2			
100	673	682	673			
6"	36,00	36 1/2	36,00			
150	914	927	914			
8"	40 1/4	40 7/8	40 1/4			
200	1022	1038	1022			
10"	50,00	50 7/8	50,00			
250	1270	1292	1270			
12"	56,00	56 7/8	56,00			
300	1422	1444	1422			
14"						
350						
16"						
400						
18"						
450						
20"						
500						
24"						
600						
26"						
650						
28"						
700						
30"						
750						
36"						
900						
40"						
1000						
42"						
1050						
48"						
1200						
64"						
1600						

POS	DENOMINAZIONE - Part list	MATERIALI - Materials
1	CORPO Body	ASTM A216 WCB
2	COPERCHIO Bonnet	ASTM A182 F.6
3	SEDE Seat ring	ASTM A182 F.6
4	OTTURATORE Disc	ASTM A182 F.6
5	LEVA Hinge	ASTM A216 WCB
6	RONDELLA Plate	ASTM A 105
7	DADO Nut	ASTM A194 2H
8	SPINOTTO Pin	ASTM A182 F.6
9	TIRANTI CORPO Bolt	ASTM A 193 B7
10	DADO Nut	ASTM A 194 2H
11	GUARNIZIONE Gasket	STAINLESS STEEL
12	TAPPO Plug	ASTM A 105
13	GHIERA FILETTATA Threaded ring	ASTM A 105
14		
15		
16		
17		
18		
19		
20		
21		
22		
23		
24		
25		
26		