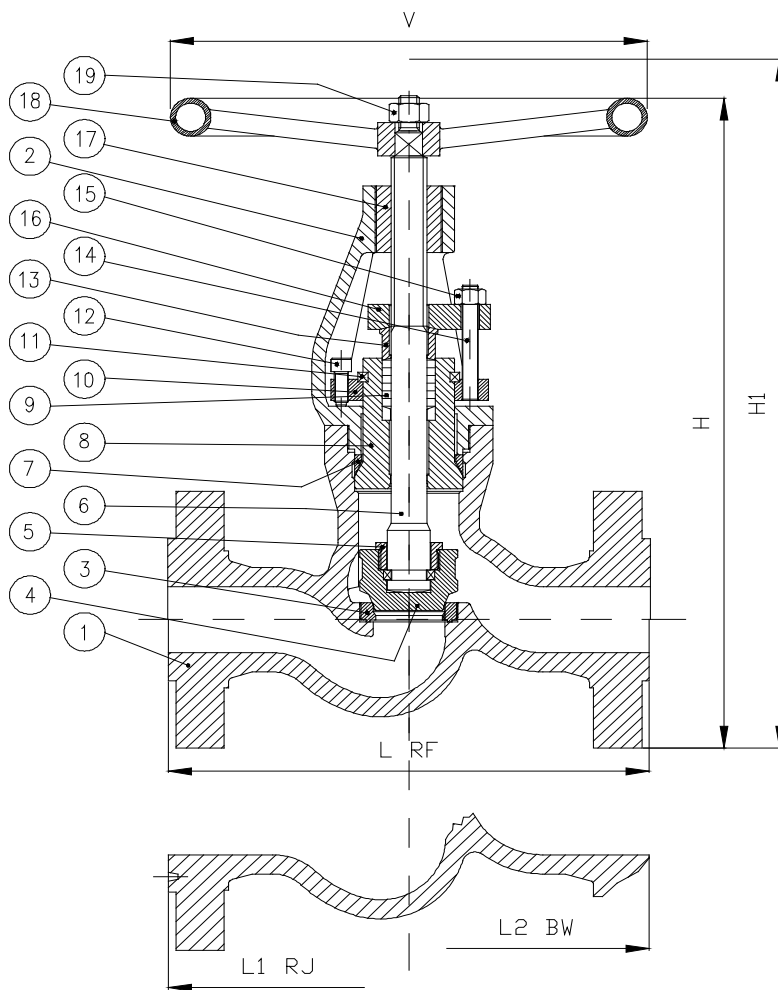


Art. 755 VALVOLE A GLOBO SERIE ANSI 1500 PRESSURE SEAL
Globe Valves series ANSI 1500 Pressure Seal



DN	L RF	L1 RJ	L2 BW	H	H1	V
2"	14 ½	14 ⅝	14 ½			
50	368	371	368			
2 ½"	16 ½	16 ⅝	16 ½			
65	419	422	419			
3"	18 ½	18 ⅝	18 ½			
80	470	473	470			
4"	21 ½	21 ⅝	21 ½			
100	546	549	546			
6"	27 ¾	28,00	27 ¾			
150	705	711	705			
8"	32 ¾	33 ⅛	32 ¾			
200	832	841	832			
10"	39,00	39 ⅜	39,00			
250	991	1000	991			
12"	44 ½	45 ⅛	44 ½			
300	1130	1146	1130			
14"						
350						
16"						
400						
18"						
450						
20"						
500						
24"						
600						
26"						
650						
28"						
700						
30"						
750						
36"						
900						
40"						
1000						
42"						
1050						
48"						
1200						
64"						
1600						

POS	DENOMINAZIONE - Part list	MATERIALI - Materials
1	CORPO Body	ASTM A216 WCB
2	CUFFIA Cover	ASTM A216 WCB
3	SEDE Seat ring	ASTM A182 F.6
4	OTTURATORE Disc	ASTM A182 F.6
5	GHIERA FERMA STELO Disc nut	ASTM A182 F.6
6	STELO Stem	ASTM A182 F.6
7	GUARNIZIONE Gasket	STAINLESS STEEL
8	CAPPELLO Bonnet	ASTM A105
9	GUARNIZIONE Packing	GRAPHITE
10	FLANGIA Gland flange	ASTM A105
11	ANELLO Ring	ASTM A105
12	BULLONE Bolt	STEEL
13	PREMISTOPPA Gland	ASTM A182 F.6
14	TIRANTI PREMISTOPPA Bolt	ASTM A193 B7
15	DADI Nut	ASTM A194 2H
16	FLANGETTA Gland flange	ASTM A105
17	BOCCOLA Yoke sleeve	ASTM B148 9A
18	VOLANTINO Handwheel	CARBON STEEL
19	DADO Nut	ASTM A194 2H
20		
21		
22		
23		
24		
25		
26		