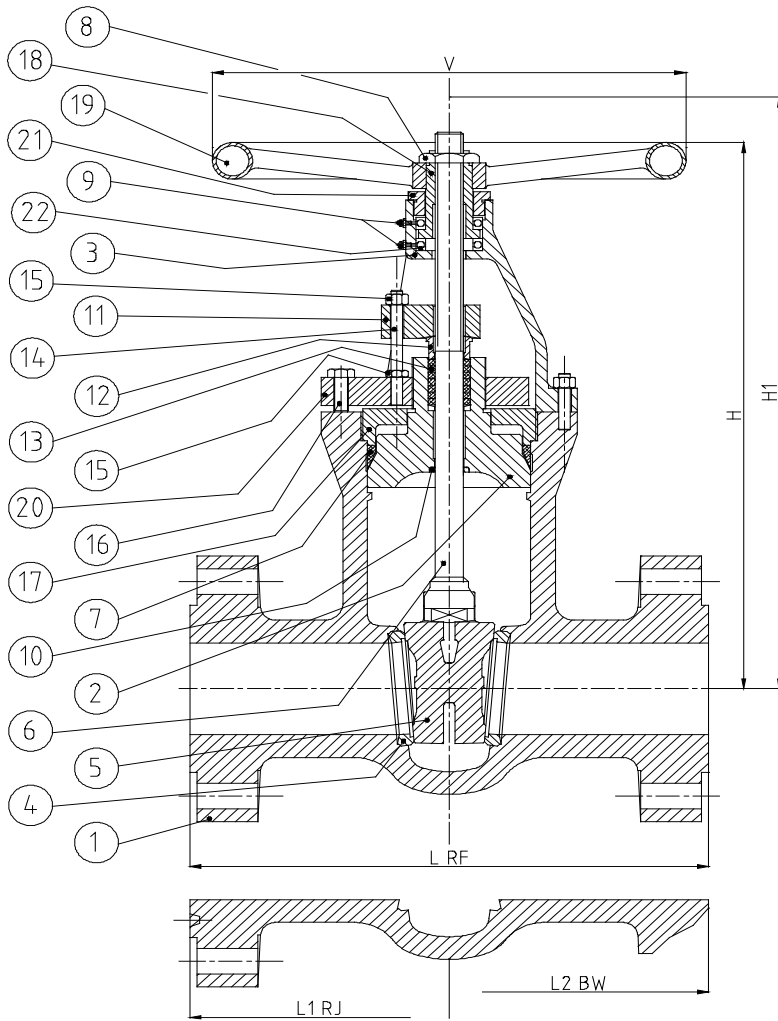


**Art. 705 SARACINESCHE SERIE ANSI 1500 PRESSURE SEAL**  
**Gate Valves series ANSI 1500 Pressure Seal**



DN	L RF	L1 RJ	L2 BW	H	H1	V
<b>2"</b>	14 ½	14 ⅝	14 ½			12,00
50	368	371	368			300
<b>2 ½"</b>	16 ½	16 ⅝	16 ½			17,00
65	419	422	419			425
<b>3"</b>	18 ½	18 ⅝	18 ½	21,00	24 ½	17,00
80	470	473	470	530	620	425
<b>4"</b>	21 ½	21 ⅝	21 ½	26,00	31,00	20,00
100	546	549	546	660	780	500
<b>6"</b>	27 ¾	28,00	27 ¾	34,00	40 ¼	23,00
150	705	711	705	860	1020	575
<b>8"</b>	32 ¾	33 ⅝	32 ¾	39 ¾	48 ½	26,00
200	832	841	832	1010	1230	650
<b>10"</b>	39,00	39 ⅝	39,00	47 ¼	57,00	28,00
250	991	1000	991	1200	1450	700
<b>12"</b>	44 ½	45 ⅝	44 ½	55,00	69,00	34,00
300	1130	1146	1130	1400	1750	850
<b>14"</b>	49 ½	50 ¼	49 ½			38,00
350	1257	1276	1257			950
<b>16"</b>	54 ½	55 ⅝	54 ½			52,00
400	1384	1406	1384			1300
<b>18"</b>	60 ½	61 ⅝	60 ½			56,00
450	1537	1559	1537			1400
<b>20"</b>	65 ½	66 ⅝	65 ½			60,00
500	1664	1686	1664			1500
<b>24"</b>	76 ½	77 ⅝	76 ½	94 ½	118	60,00
600	1943	1971	1943	2400	3000	1500
<b>26"</b>						
650						
<b>28"</b>						
700						
<b>30"</b>						
750						
<b>36"</b>						
900						
<b>40"</b>						
1000						
<b>42"</b>						
1050						
<b>48"</b>						
1200						
<b>64"</b>						
1600						

POS	DENOMINAZIONE - Part list	MATERIALI - Materials
1	CORPO Body	ASTM A216 WCB
2	CAPPELLO Bonnet	ASTM A182 F.6
3	CUFFIA Cover	ASTM A216 WCB
4	SEDI Seat rings	ASTM A182 F.6
5	CUNEO Wedge	ASTM A216 WCB
6	STELO Stem	ASTM A182 F.6
7	GUARNIZIONE Gasket	STAINLESS STEEL
8	GHIERA FERMA VOLANTINO Handweel	ASTM A105
9	INGRASSATORE Grease fittings	CARBON STEEL
10	CONTROTENUTA Back seat	ASTM A182 F.6
11	FLANGETTA Gland flange	ASTM A105
12	PREMISTOPPA Gland	ASTM A105
13	GUARNIZIONE Packing	GRAPHITE
14	TIRANTI PREMISTOPPA Bolt	ASTM A193 B7
15	DADI Nut	ASTM A194 2H
16	BULLONE Bolt	STEEL
17	GHIERA FILETTATA Threaded ring	ASTM A182 F.6
18	MADREVITE Yoke sleeve	ASTM B148 9A
19	VOLANTINO Handweel	CARBON STEEL
20	FLANGIA Flange	ASTM A105
21	GHIERA FERMA MADREVITE Yoke nut	ASTM A105
22	CUSCINETTI Bearing	STEEL
23		
24		
25		
26		