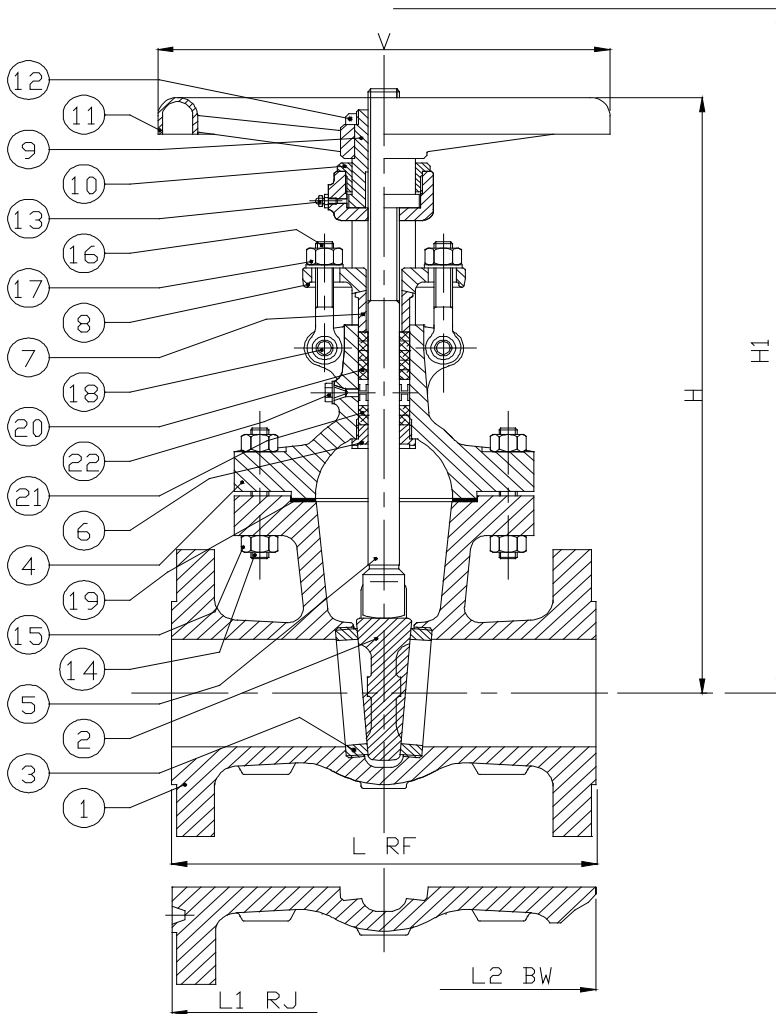


**Art. 505 SARACINESCHE SERIE ANSI 300**  
Gate valves series ANSI 300

Execution by request



DN	L RF	L1 RJ	L2 BW	H	H1	V
<b>2"</b>	8,50	9,00	8,50	16,00		8,00
50	216	232	216	400		200
<b>2 1/2"</b>	9,50	10,00	9,50	18,00		9,00
65	241	257	241	450		225
<b>3"</b>	11,12	11,70	11,12	19,50		10,00
80	283	298	283	490		250
<b>4"</b>	12,00	12,60	12,00	22,00		10,00
100	305	321	305	560		250
<b>6"</b>	15,88	16,50	15,88	28,75		16,00
150	403	419	403	730		400
<b>8"</b>	16,50	17,00	16,50	34,50		19,00
200	419	435	419	880		450
<b>10"</b>	18,00	18,50	18,00	45,00		20,00
250	457	473	457	1150		500
<b>12"</b>	19,75	20,40	19,75	50,00		20,00
300	502	518	502	1250		500
<b>14"</b>	30,00	30,60	30,00	54,00		24,00
350	762	778	762	1350		600
<b>16"</b>	33,00	33,60	33,00	62,00		26,00
400	838	854	838	1550		650
<b>18"</b>	36,00	36,60	36,00	66,00		28,00
450	914	930	914	1650		700
<b>20"</b>	39,00	39,80	39,00	74,00		32,00
500	991	1010	991	1850		800
<b>24"</b>	45,00	45,85	45,00	84,00		40,00
600	1143	1165	1143	2100		1000
<b>26"</b>	49,00		49,00			
650	1245		1245			
<b>28"</b>	53,00		53,00			
700	1346		1346			
<b>30"</b>	55,00		55,00			
750	1397		1397			
<b>36"</b>	68,00		68,00			
900	1727		1727			
<b>40"</b>						
1000						
<b>42"</b>						
1050						
<b>48"</b>						
1200						
<b>64"</b>						
1600						

POS	DENOMINAZIONE - Part list	MATERIALI - Materials
1	CORPO Body	ASTM A216 WCB
2	CUNEO Wedge	ASTM A182 F.6
3	SEDE Seat ring	ASTM A182 F.6
4	CAVALLOTTO Bonnet	ASTM A216 WCB
5	ASTA Stem	ASTM A182 F.6
6	CONTROTENUTA Back seat	ASTM A182 F.6
7	PREMISTOPPA Gland	ASTM A182 F.6
8	FLANGETTA Gland flange	ASTM A105 GR.II
9	CHIOCCIOLA Yoke sleeve	ASTM B148 9A
10	FERMA CHIOCCIOLA Yoke nut	ASTM A105 GR.II
11	VOLANTINO Handwheel	CARBON STEEL
12	FERMA VOLANTINO Handwheel nut	ASTM A105 GR.II
13	INGRASSATORE Grease fitting	CARBON STEEL
14	TIRANTI CORPO-PROLUNGA Bolt	ASTM A193 B7
15	DADI Nut	ASTM A194 2H
16	TIRANTI PREMISTOPPA Eye Bolt	ASTM A193 B7
17	DADI Nut	ASTM A194 2H
18	BULLONE Eye bolt/nut	ASTM A193 B7
19	GUARNIZIONE Gasket	GRAPHITE
20	GUARNIZIONE Packing	GRAPHITE
21	LANTERNA (*) Lantern ring	ASTM A182 F.6
22	TAPPO (*) Plug	ASTM A105 GR.II
23		
24		
25		
26		