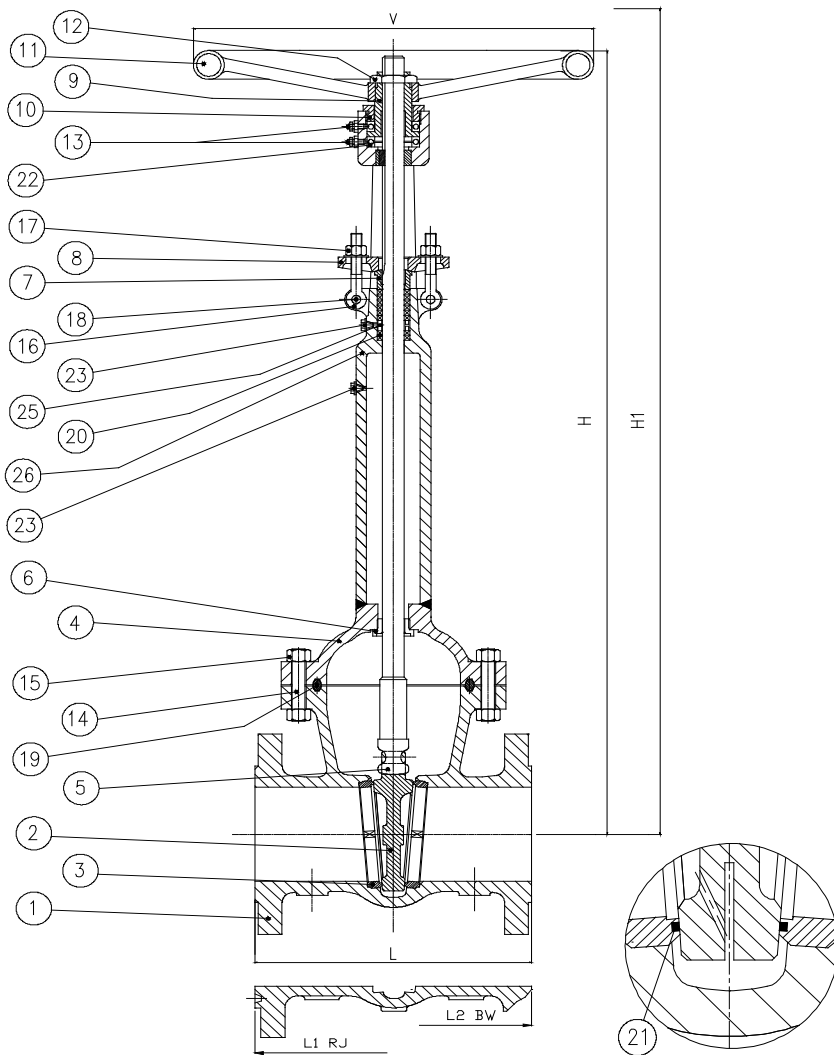


Art. 1010 SARACINESCHE SERIE ANSI 600 CRIOGENICHE
Gate valves series ANSI 600 for cryogenic service



(*) Esecuzione su richiesta
Execution by request

| DN | L RF | L1 RJ | L2 BW | H | H1 | V |
|------------|-------|-------|-------|-------|-------|-------|
| 2" | 11 ½ | 11 ⅝ | 11 ½ | 35,00 | 38 ⅝ | 10,00 |
| 50 | 292 | 295 | 292 | 890 | 970 | 250 |
| 2"½ | 13,00 | 13 ⅞ | 13,00 | 37 ⅝ | 41 ⅞ | 10,00 |
| 65 | 330 | 333 | 330 | 955 | 1050 | 250 |
| 3" | 14,00 | 14 ⅞ | 14,00 | 39 ¾ | 44,00 | 12,00 |
| 80 | 356 | 359 | 356 | 1010 | 1120 | 300 |
| 4" | 17,00 | 17 ⅞ | 17,00 | 43 ⅞ | 48 ½ | 16,00 |
| 100 | 432 | 435 | 432 | 1100 | 1230 | 400 |
| 6" | 22,00 | 22 ⅞ | 22,00 | 50,00 | 57,00 | 20,00 |
| 150 | 559 | 562 | 559 | 1270 | 1450 | 500 |
| 8" | 26,00 | 26 ⅞ | 26,00 | 61,00 | 70,00 | 22,00 |
| 200 | 660 | 663 | 660 | 1550 | 1780 | 550 |
| 10" | 31,00 | 31 ⅞ | 31,00 | 74 ½ | 85 ½ | 24,00 |
| 250 | 787 | 790 | 787 | 1890 | 2170 | 600 |
| 12" | 33,00 | 33 ⅞ | 33,00 | 80,00 | 93,00 | 28,00 |
| 300 | 838 | 841 | 838 | 2030 | 2360 | 700 |
| 14" | 35,00 | 35 ⅞ | 35,00 | 86 ⅝ | 101½ | 32,00 |
| 350 | 889 | 892 | 889 | 2200 | 2580 | 800 |
| 16" | 39,00 | 39 ⅞ | 39,00 | 95 ⅞ | 112¼ | 36,00 |
| 400 | 991 | 994 | 991 | 2420 | 2850 | 900 |
| 18" | 43,00 | 43 ⅞ | 43,00 | 94 ½ | 113⅓ | 40,00 |
| 450 | 1092 | 1095 | 1092 | 2400 | 2880 | 1000 |
| 20" | 47,00 | 47 ¼ | 47,00 | 103⅞ | 124 | 60,00 |
| 500 | 1194 | 1200 | 1194 | 2620 | 3150 | 1500 |
| 24" | 55,00 | 55 ⅞ | 55,00 | 117 | 141 ¾ | 72,00 |
| 600 | 1397 | 1406 | 1397 | 2970 | 3600 | 1800 |
| 26" | | | | | | |
| 650 | | | | | | |
| 28" | | | | | | |
| 700 | | | | | | |
| 30" | | | | | | |
| 750 | | | | | | |
| 36" | | | | | | |
| 900 | | | | | | |
| 40" | | | | | | |
| 1000 | | | | | | |
| 42" | | | | | | |
| 1050 | | | | | | |
| 48" | | | | | | |
| 1200 | | | | | | |
| 64" | | | | | | |
| 1600 | | | | | | |

| POS | DENOMINAZIONE - Part list | MATERIALI - Materials |
|-----|--------------------------------------|-----------------------|
| 1 | CORPO Body | ASTM A351 CF8M |
| 2 | CUNEO Wedge | AISI 316 |
| 3 | SEDE Seat ring | AISI 316 |
| 4 | CAPPELLO Bonnet | ASTM A351 CF8M |
| 5 | STELO Stem | AISI 316 |
| 6 | CONTROTENUTA Back seat | AISI 316 |
| 7 | PREMISTOPPA Gland | AISI 316 |
| 8 | FLANGETTA Gland flange | AISI 316 |
| 9 | MADREVITE Yoke sleeve | ASTM B148 9A |
| 10 | GHIERA FERMA MADREVITE Yoke nut | AISI 316 |
| 11 | VOLANTINO Handwheel | CARBON STEEL |
| 12 | GHIERA FERMA VOLANTINO Handwheel nut | ASTM A105 |
| 13 | INGRASSATORE Grease fitting | CARBON STEEL |
| 14 | TIRANTI CORPO-CAPPELLO Bolt | ASTM A193 B8 |
| 15 | DADI Nut | ASTM A194 GR8 |
| 16 | TIRANTI PREMISTOPPA Eye Bolt | ASTM A193 B8 |
| 17 | DADI Nut | ASTM A194 GR8 |
| 18 | BULLONE Eye bolt/nut | ASTM A193 B8 |
| 19 | GUARNIZIONE Gasket | METAL |
| 20 | GUARNIZIONE Packing | GRAPHITE |
| 21 | TENUTA MORBIDA (*) Soft Seat | PTFE |
| 22 | CUSCINETTI Bearing | STEEL |
| 23 | TAPPO Plug | AISI 316 |
| 24 | BONET | |
| 25 | LANTERNA (*) Lantern ring | AISI 316 |
| 26 | PROLUNGA Extension | AISI 316 |