

EVB Series

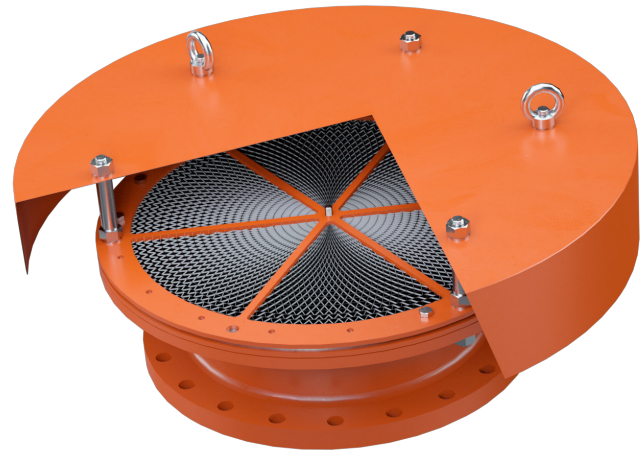


End-of-line Deflagration Flame Arresters

Protecting People, Property and our Planet.

With Replaceable Element for Explosion Groups IIB1, IIB2 & IIB3.

The Elmac Technologies® EVB Series End-of-line Deflagration Flame Arresters are designed to be installed at the end of a pipeline or exit vent from a vessel, to provide protection against atmospheric deflagration, where the ignition source is external.



Principle of Operation

The EVB Series incorporates Elmac's E-Flow™ enhanced crimped-ribbon technology in the flame arresting element, the matrix of which has been optimised using Computational Fluid Dynamics (CFD) to ensure industry leading flow and pressure drop characteristics.

During a deflagration, the combustion products are cooled at the element surface by heat dissipation, which prevents continuation of the combustion process through the flame arrester and into the protected vent line.

Operating Conditions

The Elmac EVB Series Flame Arresters are ATEX certified for a maximum operating temperature of +60°C

Explosion Groups

The Elmac EVB Series Flame Arresters are ATEX approved for gases in Explosion Groups IIA1, IIA, IIB1, IIB2, & IIB3.

Standards Compliance

Elmac Technologies® Flame Arresters have been type-tested to EN ISO 16852 and certified according to ATEX Directive 2014/34/EU.

Actual device performance is verified in the Elmac Technologies® state-of-the-art in-house test facility.



Elmac Expertise

Elmac has been manufacturing protection equipment since 1948 and brings enhanced levels of flame and explosion protection to a diverse range of applications.

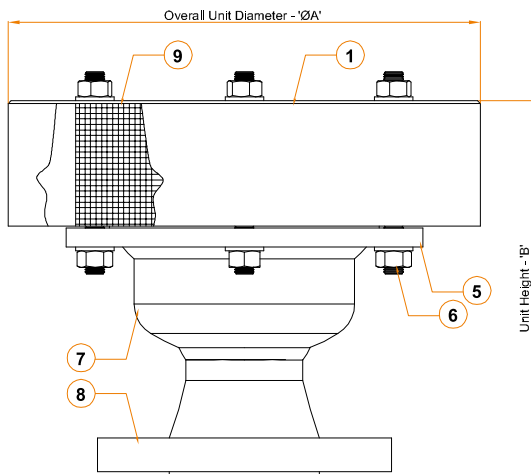
Elmac offers considerable technical leadership and, using test facilities along with Computational Fluid Dynamics (CFD) capabilities, employs research teams renowned for developing solutions for the most challenging of industrial applications.

Features and benefits

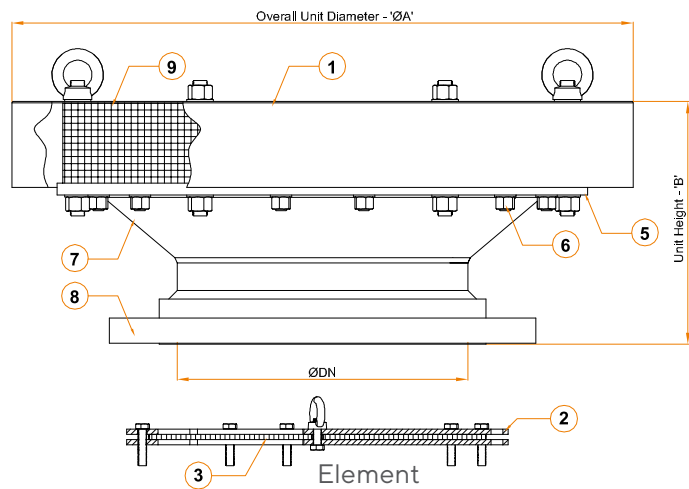
- Exceptional flow capacities with minimal pressure drop
- Easy-clean, replaceable, crimped-ribbon elements
- Unique element design is less susceptible to fouling/clogging
- Sizes and materials to suit a wide range of applications
- End connections include flanged or threaded options
- Lightweight for ease of installation
- Bird screen fitted as standard

General arrangements:

EVB Flame Arresters: DN 15-40mm



EVB Flame Arresters: DN 50-600mm



Standard Material Specifications

Ref	Description	Carbon Steel Models	Stainless Steel Models
1	Weatherhood	Stainless Steel	Stainless Steel
2	Element Housing	Carbon Steel	Stainless Steel
3	Element Core	Stainless Steel	Stainless Steel
4*	Gasket	PTFE	PTFE
5	Element Flange	Carbon Steel	Stainless Steel
6	Fasteners	Carbon Steel BZP	Stainless Steel
7	Reducer	Carbon Steel	Stainless Steel
8	Fixing Flange	Carbon Steel	Stainless Steel
9	Bird Screen	Stainless Steel	Stainless Steel

*Not shown in general arrangement drawings above

Dimensions*

DN (mm)	15	20	25	32	40	50	65	80	100
ØA (mm)	245	245	245	245	245	245	300	300	360
B (mm)	192	197	199	200	205	195	230	230	246
Approx Wt (kg)	7.0	7.2	7.5	7.8	8.2	8.6	14.5	15.2	20.2

DN (mm)	125	150	200	250	300	350	400	450	500	600
ØA (mm)	420	500	500	600	660	790	870	950	1030	1200
B (mm)	279	325	325	492	528	342	350	390	403	461
Approx Wt (kg)	26	41	46	79	103	113	134	157	182	230

*Flame arresters are available with different element size for enhanced flow capabilities. Please contact Customer Support for details.

Variations

Feature	Standard Fitting	Options*
Arrester Materials	Carbon Steel or Stainless Steel	Low Temperature Carbon Steel, Duplex Steel, Hastelloy
Element Material	Stainless Steel	Hastelloy
Connections	ANSI 150 Flange	PN16 Flange, Female BSP/NPT, Male BSP/NPT
Arrester Finish	Painted (Carbon Steel Arresters)	Offshore Paint, PTFE Coated, Others on Request
Bird Screen	Stainless Steel	Stainless Steel, PTFE Coated

*Depending on flame arrester size

Customer Support

Tel: +44 (0) 1352 717 555

Email: sales@elmactech.com

Fax: +44 (0) 1352 717 642

Coast Road, Greenfield, Flintshire, CH8 9DP United Kingdom



Protecting People, Property and our Planet.