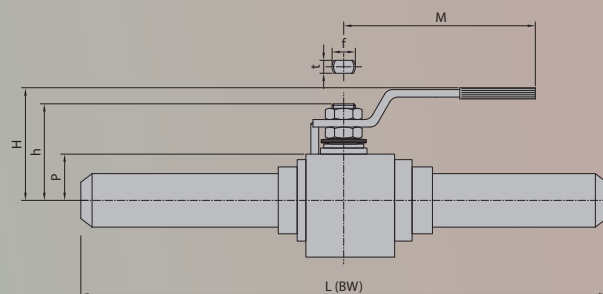
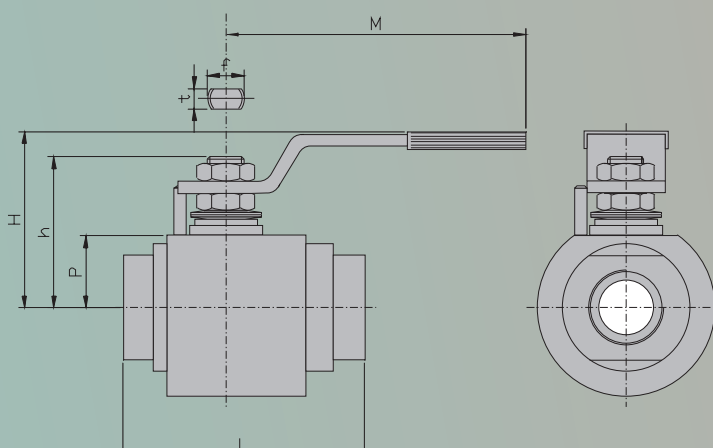
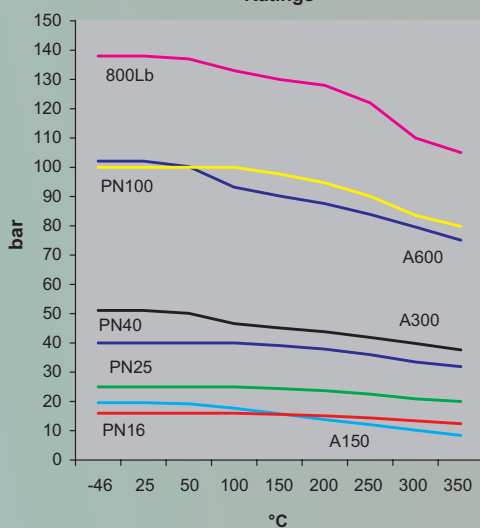




Dimensionamenti <i>Design</i>	ANSI B16.34 / EN 17292 / API 608 ASME VIII DIV.1 / EN 12516-1
Estremità <i>Ends</i>	NPT ANSI B 1.20.1 SN ANSI B 16.11 BN ANSI B 16.25 (con nippli integrali - <i>c/n integral nipples</i>)
Collaudo <i>Testing</i>	ANSI B16.104 API 598 EN 12266-1 ISO 5208 BS 6755-1



Ratings



Dimensioni - *outline dimensions*

	15	20	25	40	50
DN	15	20	25	40	50
Ø"	1/2"	3/4"	1"	1 1/2"	2"
ØE	12.5	19	24	38	51
L(NPT)	80	90	110	130	155
L(SW)	70	85	105	125	140
L(BW)	270	285	305	325	350
ØD	58	64	78	104	138
M	145	145	275	380	380
H	70	75	83	123	120
h	50	53	63	91.5	102
P	24	27	32	42	61
F/t	10/6	10/6	16/10	22/14	22/14
Kg	1.2	1.5	2.5	5.3	11.5
ISO5211	F03	F03	F05	F07	F07

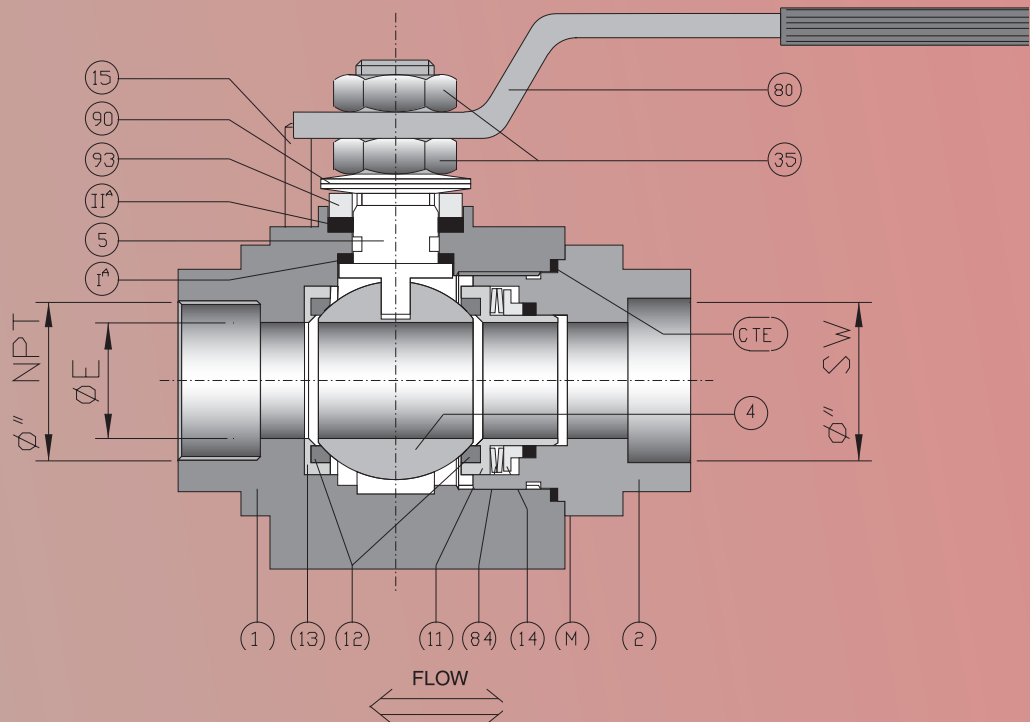
VALVOLE A SFERA FLOTTANTE A SEGGI METALLICI

METAL SEATED FLOATING BALL VALVES

BI-DIRECTIONAL

-46 °C +400 °C

AP



TA-LUFT
APPROVED
(CON PROLUNGA 100 MM)
C/W 100 MM STEM ELONGATION



97/23/CE "PED"
CAT III



II 2 GD c T6 X
94/9/CE "ATEX"

Materiali base - base materials

CTE	Guarn. Corpo/Terminale	Body connector gasket	Grafoil	Grafoil
M	Guarn. Retroseggio	Backseat gasket	Grafoil	Grafoil
II ^A	Guarnizione Secondaria	Secondary Stem seal	Grafoil	Grafoil
I ^A	Guarnizione Primaria	Primary stem seal	Grafoil	Grafoil
93	Premi Baderna	Gland	304 S.S.	304 S.S.
90	Molle Stelo	Stem spring	UNS S30100	UNS S30100
84	Molle Seggio	Seat spring	UNS S30100	UNS S30100
80	Leva	Handle	Fe37 UNI 7070	Fe37 UNI 7070
35	Dadi Stelo	Nut	304 S.S.	304 S.S.
15	Fermo Leva	Lever stopper	Gr. 8.8 UNI 3740	Gr. 8.8 UNI 3740
14	Premigrafoil	Compression ring	A479 Tp.316	A479 Tp.316
13	Cassetto Corpo	Body seat holder	A479 Tp.316	A479 Tp.316
12	Seggio	Seat	PENTAFITE ST6 WC/CRC	PENTAFITE ST6 WC/CRC
11	Cassetto Terminale	Connector seat holder	A479 Tp.316	A479 Tp.316.
5	Stelo	Stem	A564 Tp.630 (17/4PH)	A564 Tp.630 (17/4PH)
-	Riporto Sfera	Ball coating	HTC/HCR ST6 WC/CRC	HTC/HCR ST6 WC/CRC
4	Sfera	Ball	A479 Tp.316	A479 Tp.316
2	Terminale	Connector	A105	A479 Tp.316
1	Corpo	Body	A105	A479 Tp.316

P. No. Parte - Part Name

Materiale - Material

Altri materiali disponibili su richiesta - Other materials are available on request

HTC = Nitruri di Titanio (Titanium Nitrides); HCR = Nitruri di Cromo (Chrome Nitrides); ST6 = Stellite 6 Detonation Gun/HVOF
WC = Carburi di Tungsteno (Tungsten Carbides Detonation Gun/HVOF); CRC = Carburi di Cromo (Chrome Carbides Detonation Gun/HVOF)